



**SPECIFICATION:**

**LENGTH:** 60"

**WIDTH:** 30"

**ENTRY RAMP:** 12"

**STYLE:** Barrier free ramp left hand drain shower base

**SHIPPING WEIGHT:** 60 LBS\*

**COLOURS:** White

**MATERIALS:** Gelcoat finish reinforced with fibreglass

## LUXEMBOURG SERIES

The shower unit is a gel-coated, heavy-duty fiberglass reinforced unit to provide a sanitary, unbroken, smooth surface. Reinforcing and contouring gives added strength. The units have one inch nailing flanges on front and top edges and warranted against factory defects for three years.

**ADA COMPLIANT**

Code Compliance is based on our interpretation of applicable codes. We cannot assume responsibility for code compliance on your specific project. Please check specifications and other information with the appropriate authorities before ordering.

Meets January 1992 specification, "The AMERICANS WITH DISABILITIES ACT", which Prohibits discrimination on the basis of disability by private firms in places of public accommodation: Section 4.2 shower stalls 30"x60".

Available in left hand drain only. The special built-in ramp eliminates the need to raise the height of the bathroom floor. The LUXBF6030B base is a complete, direct replacement fiber glass shower floor & ramp, which features a fiberglass 30"x60" floor and a 12"x60" entry ramp.

The ONE-PIECE design can be used in new construction or remodelling, to replace a standard 5ft. bathtub. Venco's LUXBF6030B is ideal for commercial or residential installations. This base installs just like a regular Fiberglass Shower Stall

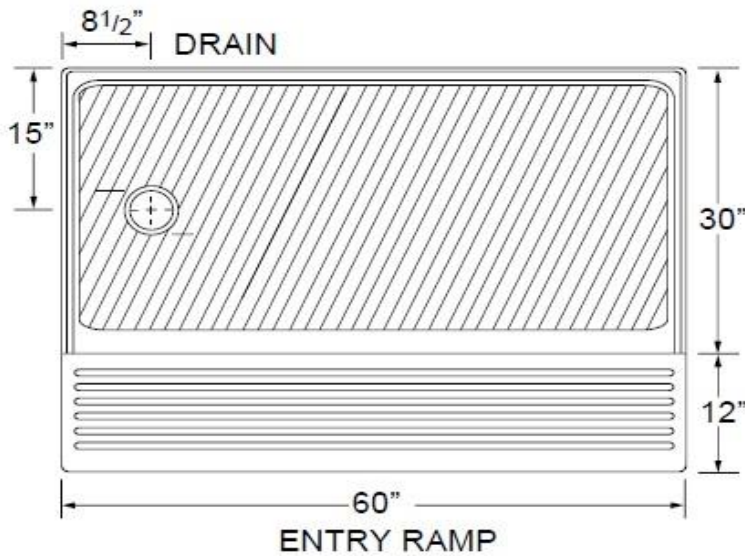
**Venco Products Ltd. (Delta)**

7584 Vantage Place, Delta, BC V4G 1A5  
Tel: (604) 940-4960  
sales@venco.ca

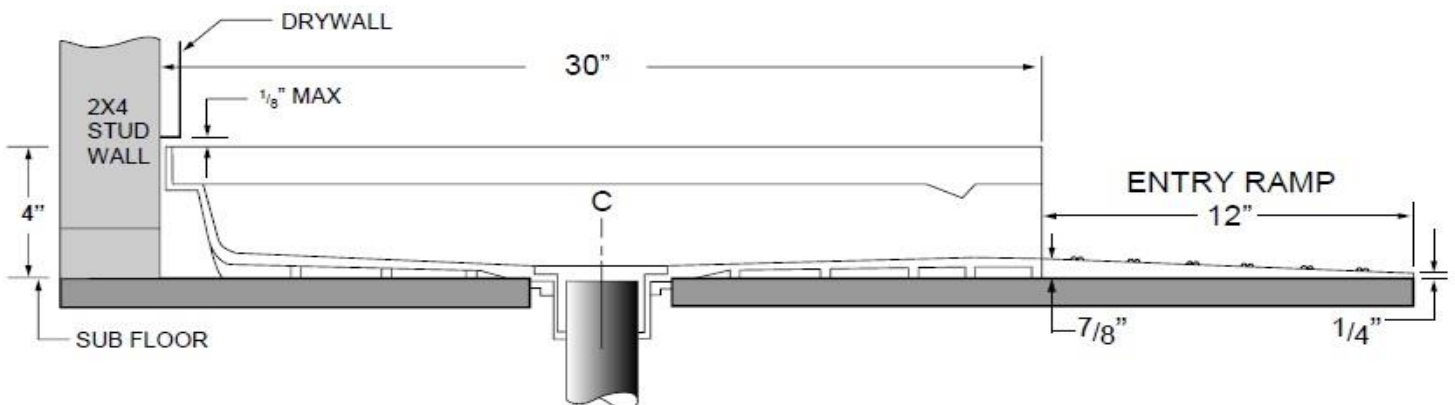
**Venco Products Ltd. (Nanaimo)**

1960 Cedar Road, Nanaimo, BC V9X 1L7  
Tel: (250) 722-2522  
islandsales@venco.ca





Unit must be placed into a bed of Mortar.



**Note: ALL THE MEASUREMENTS ARE IN INCHES & HAVE TOLERANCE OF  $\pm 1/4$ "**

**IMPORTANT**

While we strive to provide accurate measurements for our customers, sometimes mistakes happen.

Our goal is to help things run smoothly from shipment to installation, so if you notice any errors in our spec sheets, please let us know.

Our products are handmade & hand finished so you can expect a tolerance of  $\pm 1/4$ " on all measurements. We strongly recommend waiting until your ordered product is on-site before attempting any rough-in carpentry or plumbing.

If you want to verify any of our measurements, please feel free to call or email us.

Keeping with our policy of continuing product improvement, Venco Products Ltd. reserves the right to change product specifications without notice.

**Venco Products Ltd. (Delta)**

7584 Vantage Place, Delta, BC V4G 1A5  
 Tel: (604) 940-4960  
 sales@venco.ca

**Venco Products Ltd. (Nanaimo)**

1960 Cedar Road, Nanaimo, BC V9X 1L7  
 Tel: (250) 722-2522  
 islandsales@venco.ca

