

4840BFS 1.75

One Piece Transfer Shower Stall

Installation Specifications

*This Shower
Stall Is Not A.D.A.
Compliant*

Specifications

The shower unit shall be a gel-coated, heavy-duty fibreglass reinforced unit to provide a sanitary, unbroken, smooth surface.

Reinforcing and contouring gives added strength. The units shall have one inch nailing flanges on front and top edges and warranted against factory defects for three years.

All product measurements are to the outside of nailing flange. Measurements plus (+) or minus (-) 1/4".

All Venco Products are Canadian Standards Association certified.

VENCO

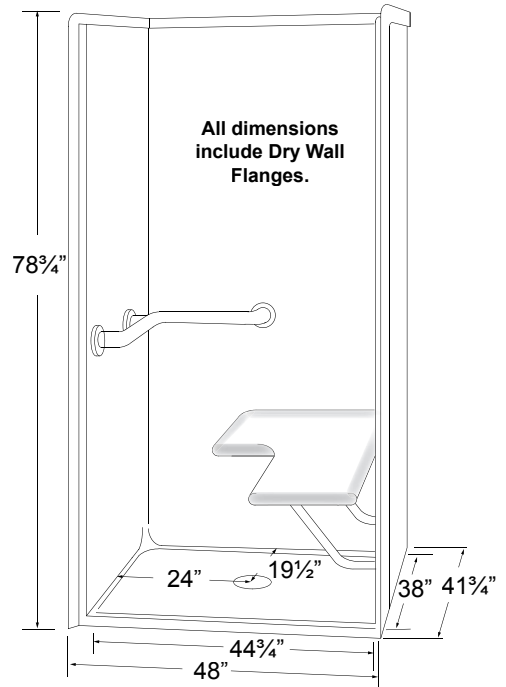
7584 Vantage Place, Delta, BC V4G 1A5
Phone (604) 940-4960 • Fax (604) 940-9733
email: venco@telus.net
www.venco.ca

VENCO



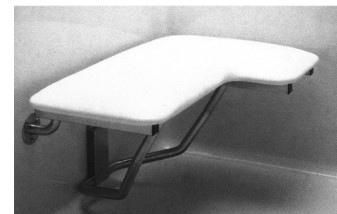
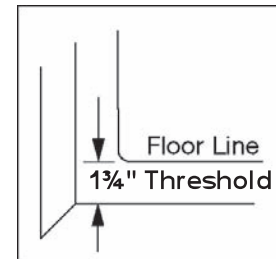
Standard Accessories Installed

- 1 - 1 1/4" Stainless Steel "L" Grab Bar.
- 1 - White Padded Seat.



This Shower Stall shall be a VENCO Model No. 4840BFS. Finished surface shall be of a Premium sanitary-grade polyester Gelcoat with a minimal thickness of 15 dry mills and a finished cured Barcol hardness of 80-90. The unit shall have dimensions of 48" x 41 3/4" x 78 3/4" O.D.

Sides and back of unit shall be constructed of molded reinforced fiberglass with 15% minimum fiberglass content plus an inner core of 7/16" Wafer board extending the height and width of the walls and is laminated with another layer of reinforced fiberglass for superior overall rigidity. The approximate weight of the unit shall be 192 lbs. The base of the unit shall be attached to form an integral part with an inner and outer coating of reinforced fiberglass with a polyester resin. Unit shall be recessed in sub-floor with overall depth determined by thickness of finished floor material. Threshold of unit shall be 1/2" above the finished floor. Warranted against defects in material or workmanship for a period of Three (3) years from date of installation. The Addition of grab bars or fixtures not properly installed by purchaser shall void this warranty.



Optional Accessories

- 1 - Curtain Rod: Stainless Steel, 18 ga. 1" O.D., with mounting flanges.
- 1 - Shower Curtain: Vinyl, 10 ga. flame resistant, white, chain-weighted.
- 1 - Pressure Balance Mixing Valve, lever handle, polished chrome finish.
- 1 - Hand Shower, Push Button on/off, Hand Held Shower with 84" hose, Vacuum breaker.